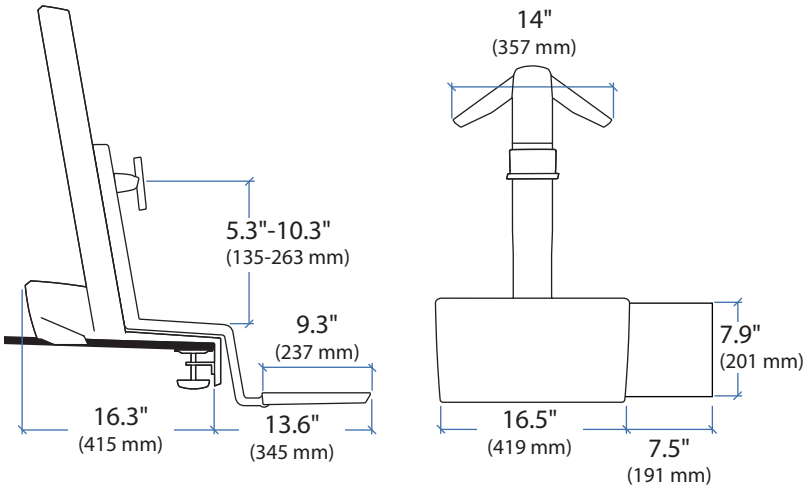
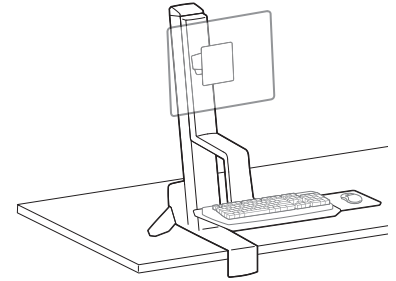
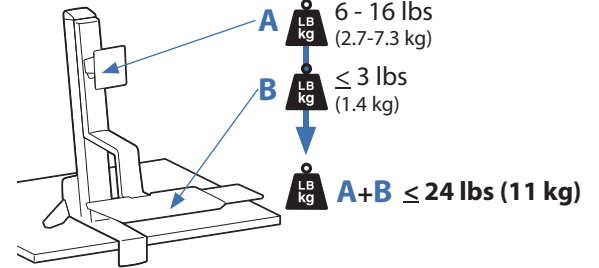


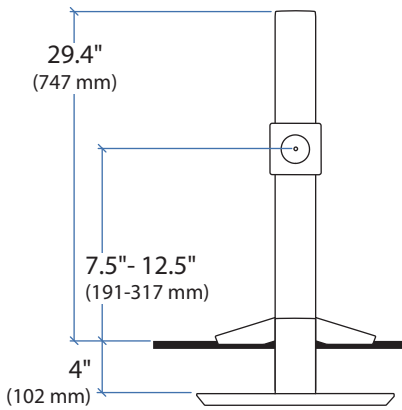
### WorkFit-S, Single LCD Mount, LD



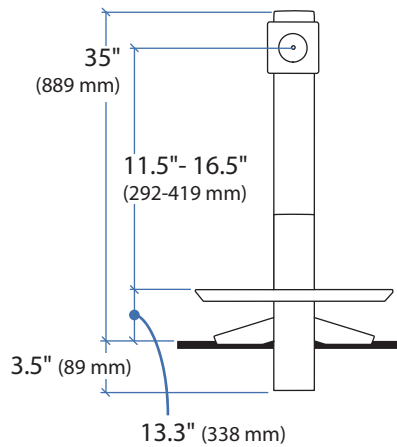
Weight Capacity:



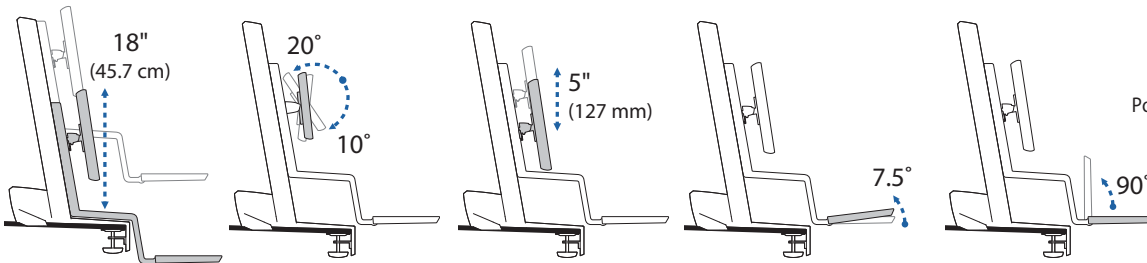
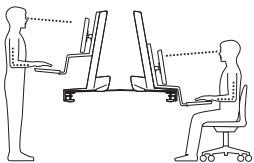
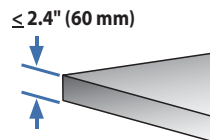
Lowest Position



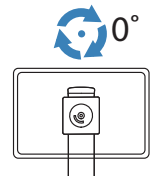
Highest Position



Desk Thickness:



Portrait/Landscape rotation stop screw can be installed for 0° rotation.



© 2013 Ergotron, Inc. rev. 09/24/2013 DIM-WorkFit-S Content is subject to change without notification

#### Americas Sales and Corporate Headquarters

St. Paul, MN USA  
 (800) 888-8458  
 +1-651-681-7600  
 www.ergotron.com  
 sales@ergotron.com

#### EMEA Sales

Amersfoort, The Netherlands  
 +31 33 45 45 600  
 www.ergotron.com  
 info.eu@ergotron.com

#### APAC Sale

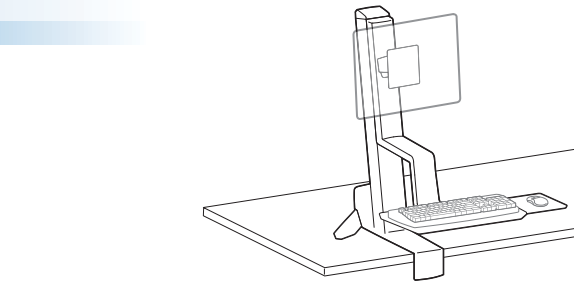
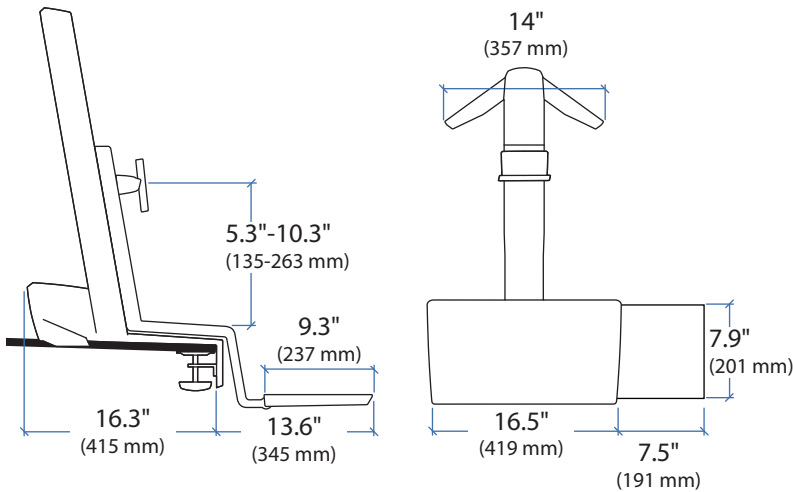
Tokyo, Japan  
 www.ergotron.com  
 apaccustomerservice@ergotron.com

#### Worldwide OEM Sales

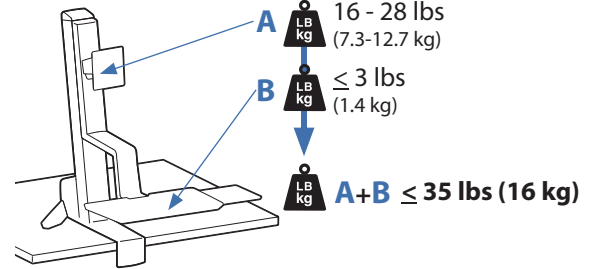
www.ergotron.com  
 info.oem@ergotron.com



### WorkFit-S, Single LCD Mount, HD

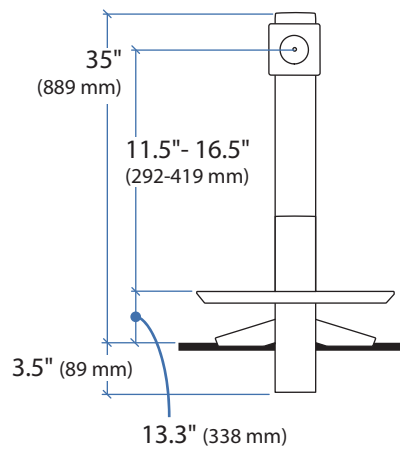
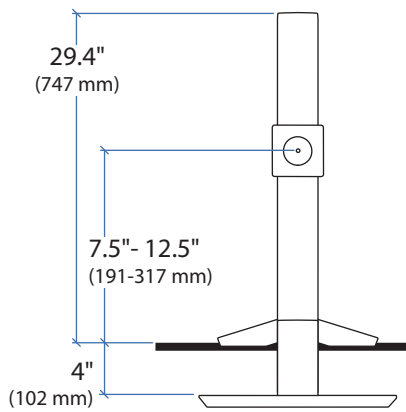


Weight Capacity:



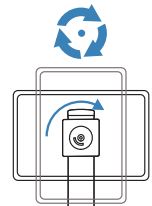
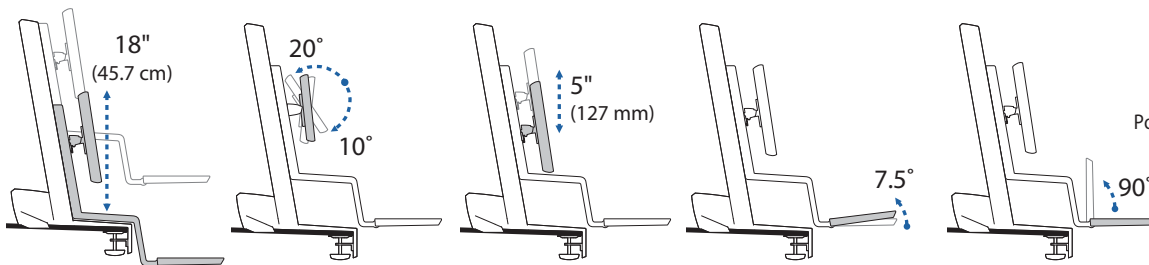
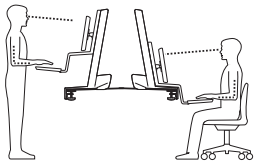
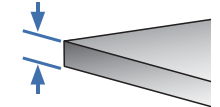
Lowest Position

Highest Position



Desk Thickness:

≤ 2.4" (60 mm)



Portrait/Landscape rotation stop screw can be installed for 0° rotation.



© 2013 Ergotron, Inc. rev. 09/24/2013 DIM-WorkFit-S Content is subject to change without notification

#### Americas Sales and Corporate Headquarters

St. Paul, MN USA  
(800) 888-8458  
+1-651-681-7600  
www.ergotron.com  
sales@ergotron.com

#### EMEA Sales

Amersfoort, The Netherlands  
+31 33 45 45 600  
www.ergotron.com  
info.eu@ergotron.com

#### APAC Sale

Tokyo, Japan  
www.ergotron.com  
apaccustomerservice@ergotron.com

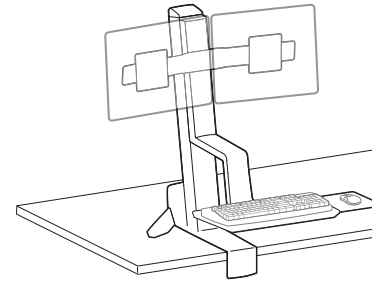
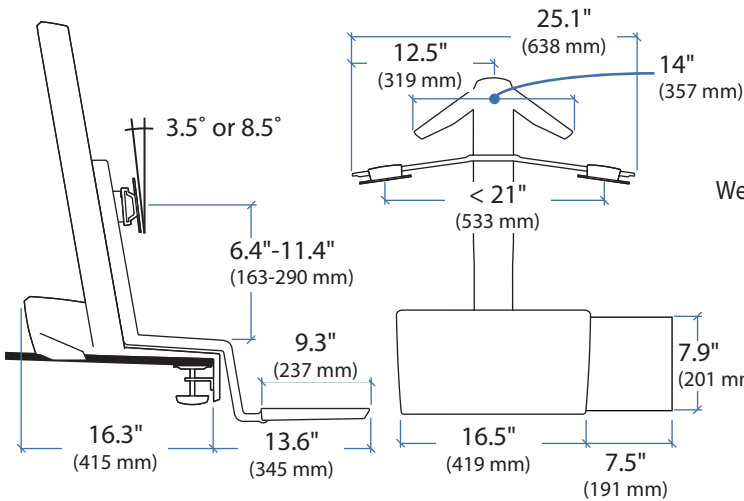
#### Worldwide OEM Sales

www.ergotron.com  
info.oem@ergotron.com

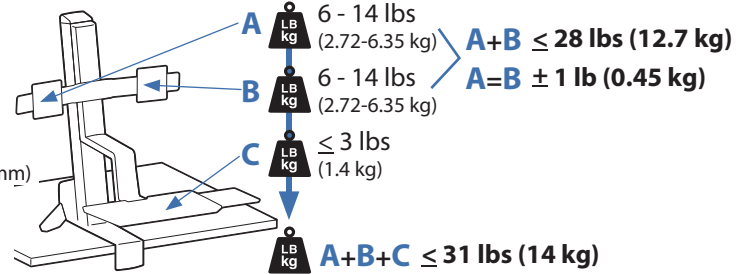


## WorkFit-S, Dual

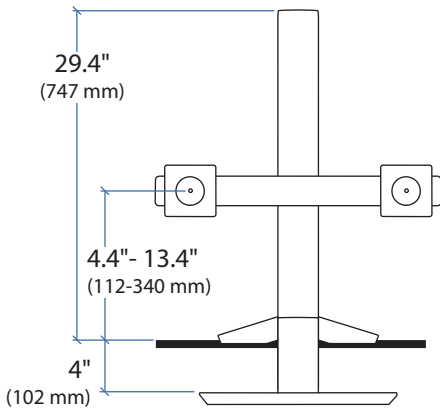
### Dimensional & Range of Motion Illustrations



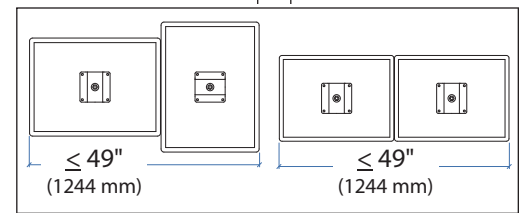
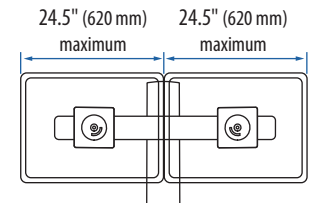
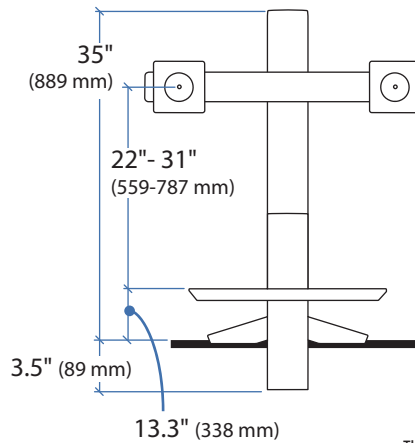
Weight Capacity:



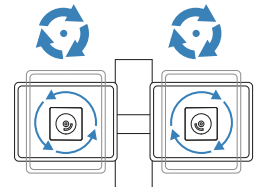
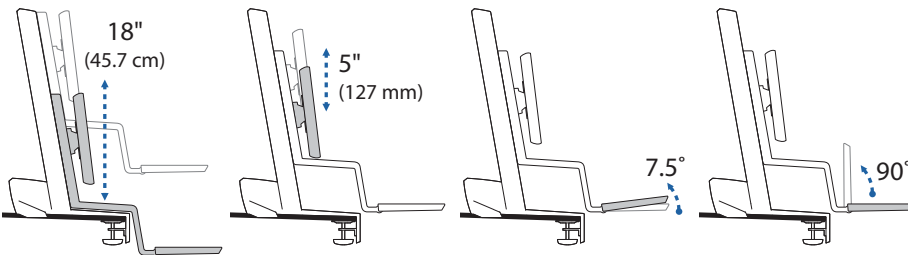
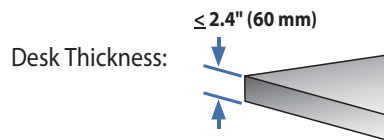
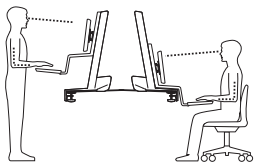
Lowest Position



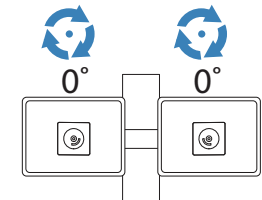
Highest Position



This range accommodates most displays with screens up to 24" as well as some displays with screens as large as 26".  
 Actual allowable width of displays will vary slightly depending on display thickness.  
 Note that older versions of this product used a narrower crossbar, which accommodated monitors with screens of up to 22".



Portrait/Landscape rotation stop screw can be installed for 0° rotation.



© 2013 Ergotron, Inc. rev. 09/24/2013 DIM-WorkFit-S Content is subject to change without notification

**Americas Sales and Corporate Headquarters**

St. Paul, MN USA  
 (800) 888-8458  
 +1-651-681-7600  
 www.ergotron.com  
 sales@ergotron.com

**EMEA Sales**

Amersfoort, The Netherlands  
 +31 33 45 45 600  
 www.ergotron.com  
 info.eu@ergotron.com

**APAC Sale**

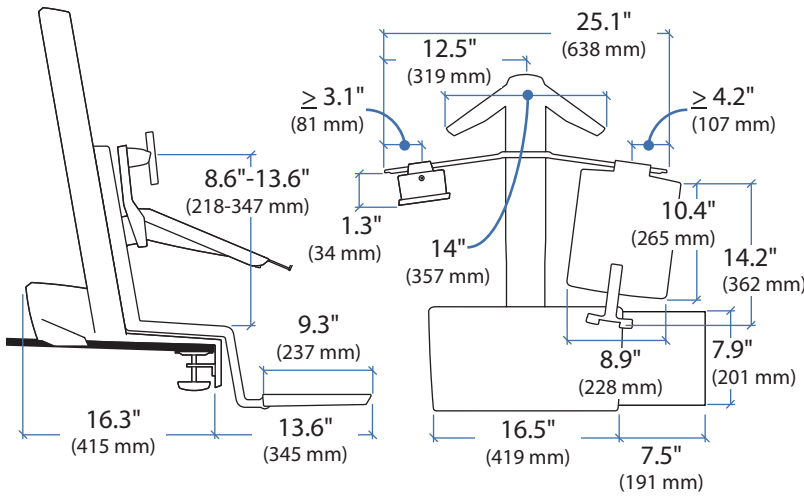
Tokyo, Japan  
 www.ergotron.com  
 apaccustomerservice@ergotron.com

**Worldwide OEM Sales**

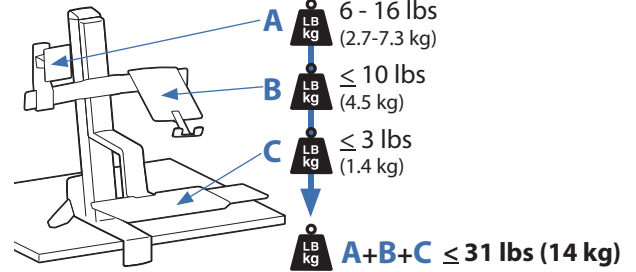
www.ergotron.com  
 info.oem@ergotron.com



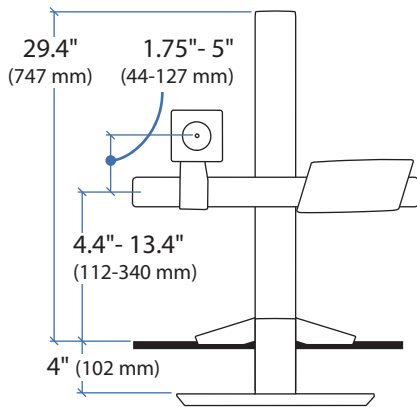
### WorkFit-S, LCD & Laptop



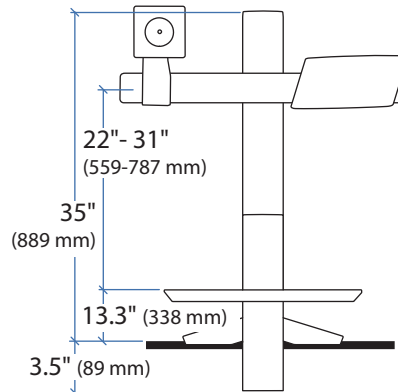
Weight Capacity:



Lowest Position

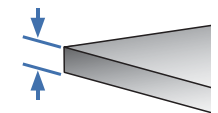


Highest Position

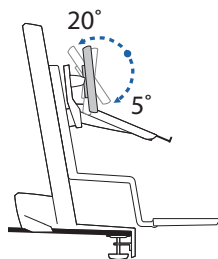
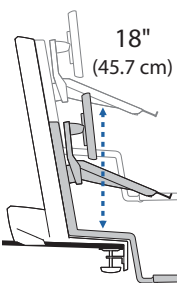
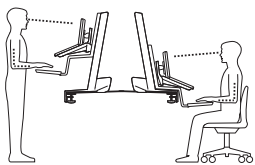
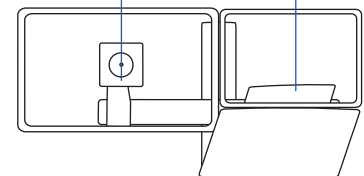


Desk Thickness:

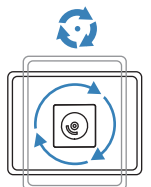
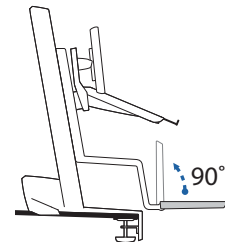
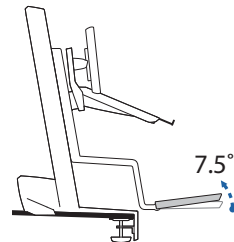
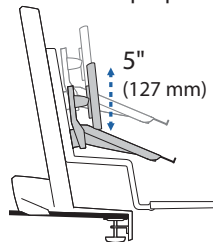
≤ 2.4\"/>



21.25\"/>



LCD and Laptop Tray



© 2013 Ergotron, Inc. rev. 09/24/2013 DIM-WorkFit-S Content is subject to change without notification

**Americas Sales and Corporate Headquarters**

St. Paul, MN USA  
 (800) 888-8458  
 +1-651-681-7600  
 www.ergotron.com  
 sales@ergotron.com

**EMEA Sales**

Amersfoort, The Netherlands  
 +31 33 45 45 600  
 www.ergotron.com  
 info.eu@ergotron.com

**APAC Sale**

Tokyo, Japan  
 www.ergotron.com  
 apaccustomerservice@ergotron.com

**Worldwide OEM Sales**

www.ergotron.com  
 info.oem@ergotron.com

