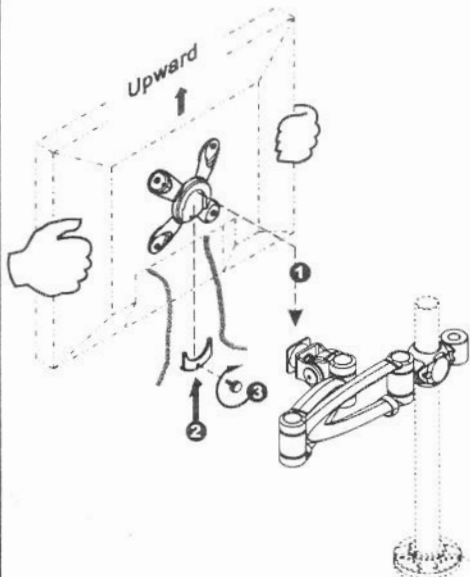


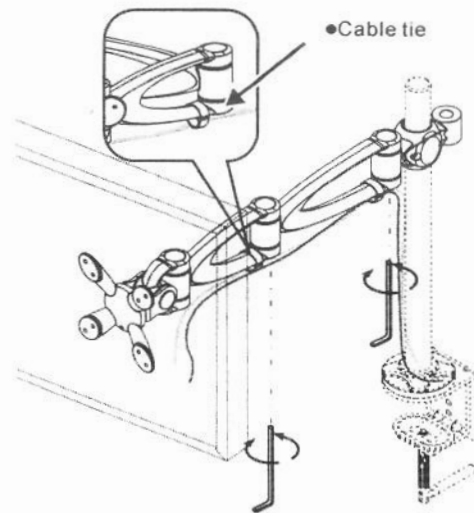
Step 5

Insert the VESA (with LCD display on already) into the arm and press it down. Then secure fixing lump on VESA with knob. (as figure down step 1. 2. 3)



Step 6

Use cable tie supplied to finish cable management.



When the joint is loose, please use the Allen Key (5mm) to tighten the arm.

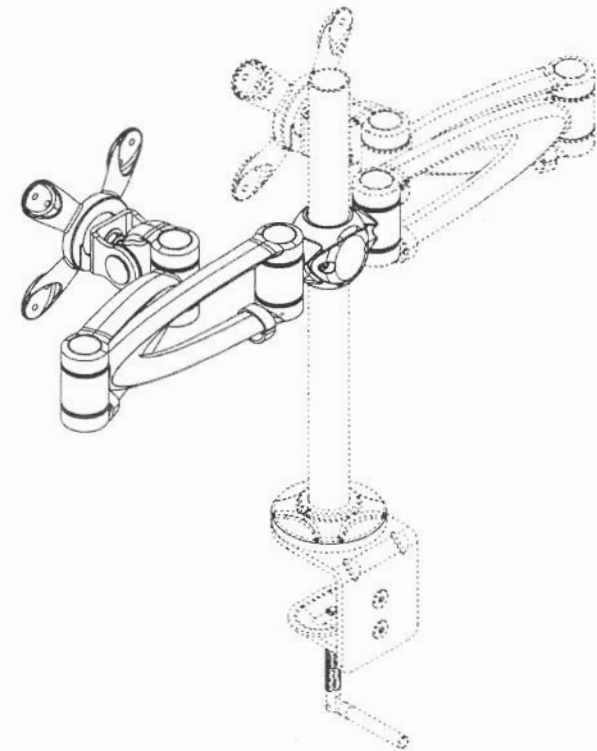
Caution:

- There are many small components used in the construction of this unit. These loose items should be kept away from young children while assembling your unit.
- Incomplete or inadequate mounting of this unit to the wall may cause it to fall down, resulting in potentially fatal accidents.
- Please consult authorized service personnel for the installation of this unit.

User Manual

Assembly guide for Multi-monitors

LA-6A5-1A series



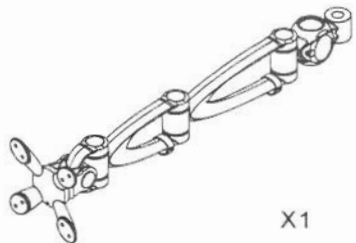
Check - list

01

Before assembly, please spend some times to read this manual and follow the procedures step by step assembly guide. Some panels are viewed differently from the detail drawing below. This is for extra clarity. Do not discard any of the packaging until you have checked all the parts and the package of fittings. If you are missing any of the parts, please contact the store from which you purchased your products. The staff will do their best to help you.

Check-List

01



X1

02



X4

03



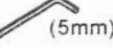
X4

04



X1

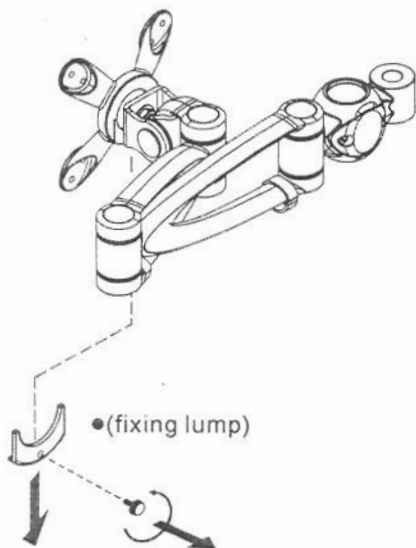
05



X1

Step 1

Please loosen the knob at first, and then apart the fixing lump.



•(fixing lump)

Step 2

Then, take VESA up. If it is difficult to take it up, you can take it by knocking slightly (as figure. A).

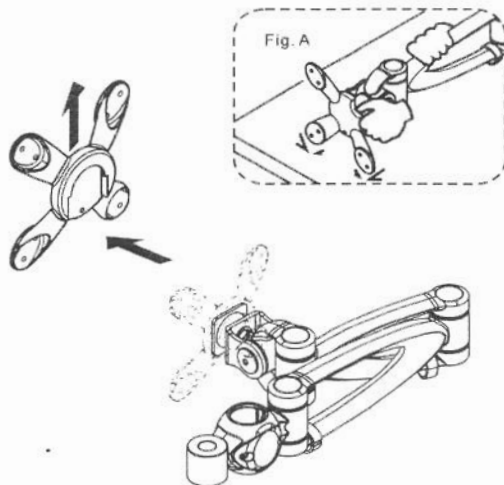


Fig. A

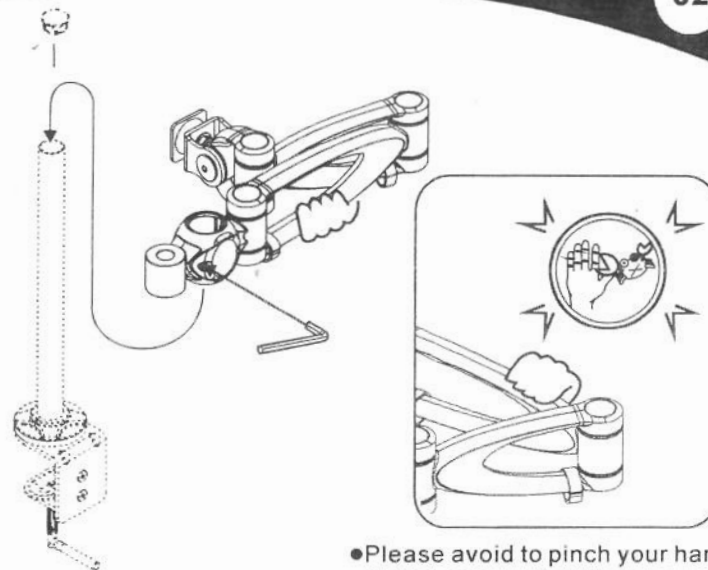
Assembly Guide

02

Step 3

Loosen two screws slightly. Put the arm into the pole and adjust it to the suitable position.

Tighten it up with 4mm Allen key. finally, put in the plug.



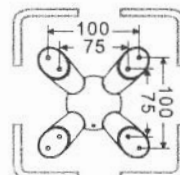
•Please avoid to pinch your hand during assembling the arm.

Step 4

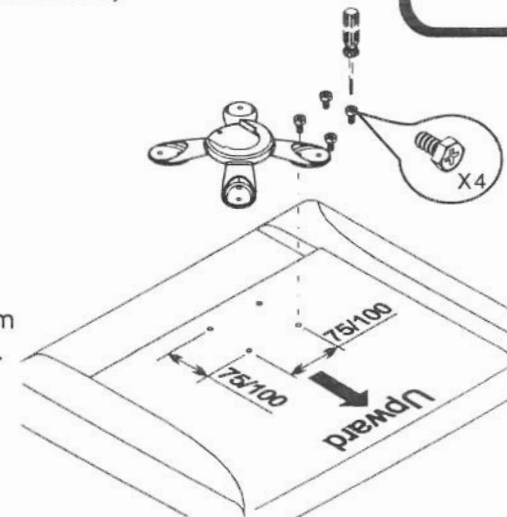
Place LCD with facing downward on flat surface. Place VESA on the LCD back as figure and align to the screwholes. Secure them together with four screws. And then tighten them up with screwdriver (not provided).

•These screws (M4/15L) are just for special monitor when the original screws are too short to fasten.

X4



75mmx75mm
100mmx100mm
VESA interface.



X4