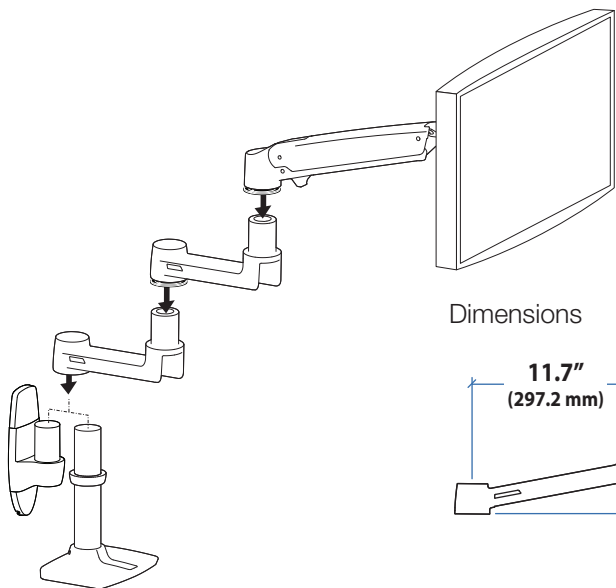


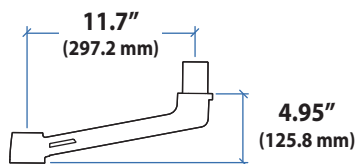
Ergotron® LX

Sit-Stand Extension

Dimensional & Range of Motion Illustrations



Dimensions



Weight Capacity

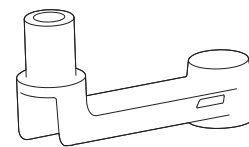
Maximum Display Weight

2 Extensions - With 1 Arm

Wall Mount: 9.0 kg (20 lbs)

Grommet Mount: 8.1 kg (18 lbs)

Desk Mount: 8.1 kg (18 lbs)



© 2011 Ergotron, Inc. rev. 04/18/2011 DIM-LXSSEXT Content is subject to change without notification

Americas Sales and Corporate Headquarters

St. Paul, MN USA
(800) 888-8458
+1-651-681-7600
www.ergotron.com
sales@ergotron.com

EMEA Sales

Amersfoort, The Netherlands
+31 33 45 45 600
www.ergotron.com
info.eu@ergotron.com

APAC Sale

Tokyo, Japan
www.ergotron.com
apaccustomerservice@ergotron.com

Worldwide OEM Sales

www.ergotron.com
info.oem@ergotron.com

