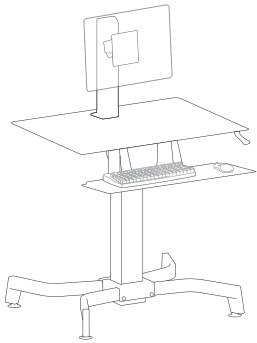
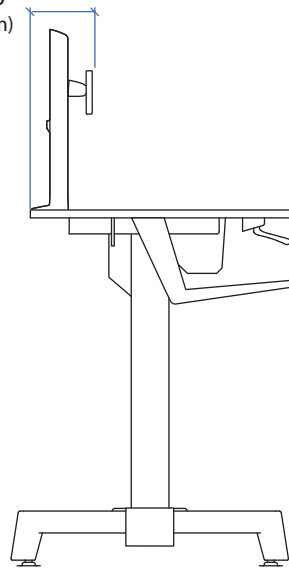


WorkFit-PD Single LD LCD Kit

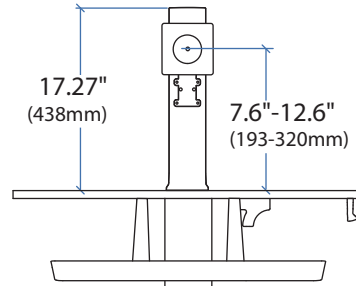


Dimensions

7.6"
(193mm)

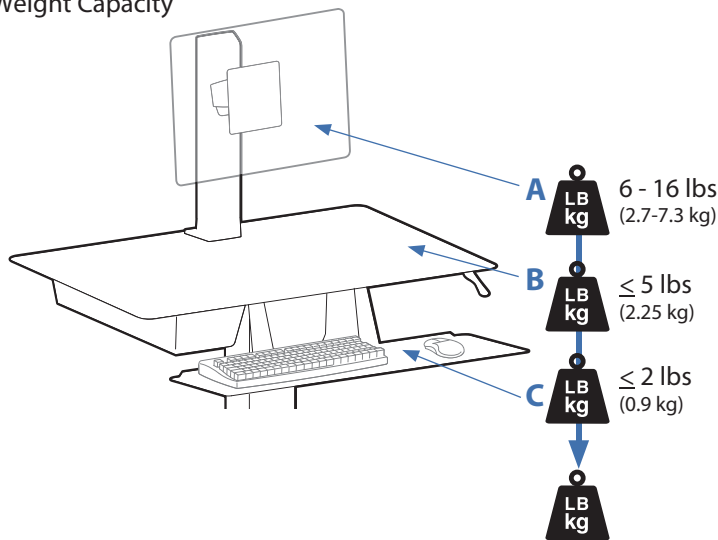


Side View

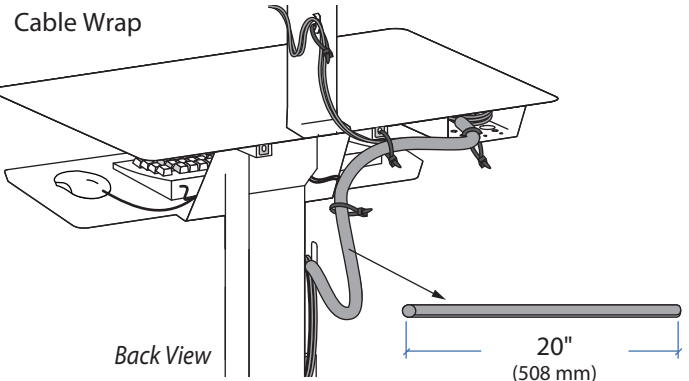


Front View

Weight Capacity

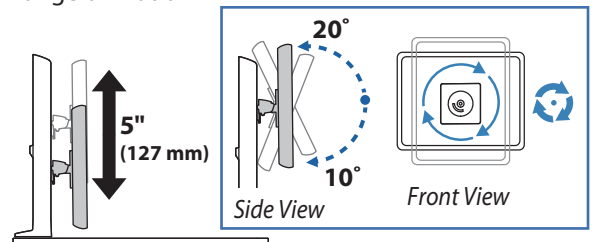


A+B+C ≤ 31 lbs (14 kg)



Back View

Range of Motion



© 2012 Ergotron, Inc. rev. 04/12/2012 DIM-Workfit-PD-LD Content is subject to change without notification

Americas Sales and Corporate Headquarters

St. Paul, MN USA
(800) 888-8458
+1-651-681-7600
www.ergotron.com
sales@ergotron.com

EMEA Sales

Amersfoort, The Netherlands
+31 33 45 45 600
www.ergotron.com
info.eu@ergotron.com

APAC Sale

Tokyo, Japan
www.ergotron.com
apaccustomerservice@ergotron.com

Worldwide OEM Sales

www.ergotron.com
info.oem@ergotron.com

