

DS-MBZ942L-3X1
DS-MBZ947L-3X1



Display size

DS-MBZ942L-3X1: 40"-42"
DS-MBZ947L-3X1: 46"-48"



Max load

300lb
(136kg)

SMARTMOUNT.

Digital Menu Board Ceiling Mount with 8pt Adjustment - Landscape

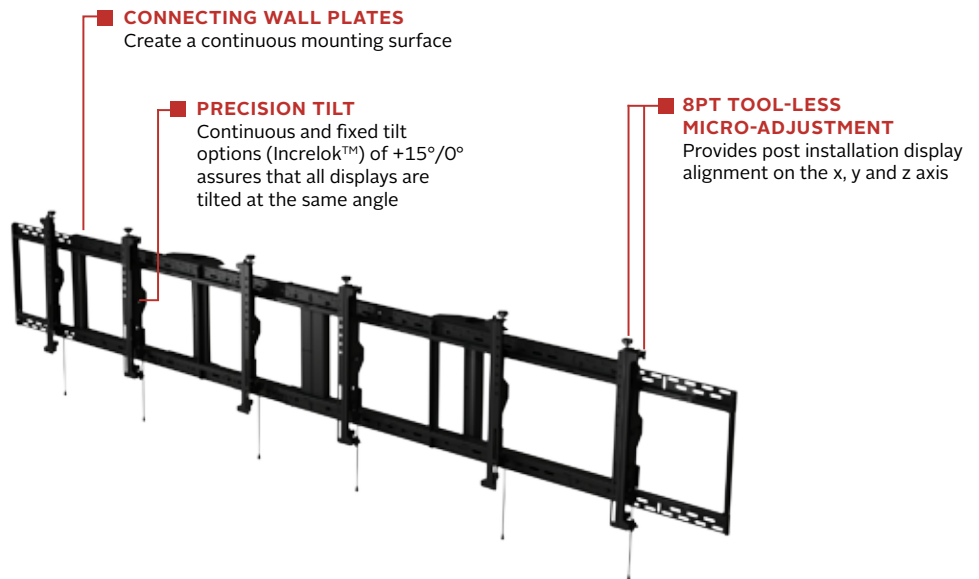
3X1 CONFIGURATION FOR 40" TO 48" DISPLAYS

Peerless-AV's quick service restaurant (QSR) Menu Board Ceiling Mount is designed to create a seamless mounting surface through connecting wall plates. Continuous and fixed tilt options allow all displays to be tilted at the same angle with ease, creating flawless alignment. The QSR Menu Board Mount has a tool-less 8pt adjustment to position all of the displays on the same plane. Quick connect adaptor rails quickly attach to the support frame with an auto latch, easing the set up and making the QSR Menu Board Mount the perfect mounting solution.

Additional Features

- ✓ Connecting wall plates create a continuous mounting surface for ease of display alignment
- ✓ Quick connect latch automatically engages the wall plate when mounting the display for a speedy set-up and peace of mind
- ✓ Horizontal adjustment allows the installer to create a menu board with a seamless appearance
- ✓ Continuous and Increlok™ tilt options assure that all displays are tilted at the same angle to assure alignment
- ✓ Included security hardware deters tampering and theft
- ✓ Tool-less four corner depth adjustment aligns the displays on the same plane
- ✓ DS-MBZ942L-3X1 – landscape configuration for 40"-42" displays with mounting hole patterns 2658 x 400mm (104.65"W x 15.75"H)
- ✓ DS-MBZ947L-3X1 – landscape configuration for 46"-48" displays with mounting hole patterns 2944 x 400mm (115.90"W x 15.75"H)

With the tool-less 8pt adjustment feature on the adaptor brackets, you can create flawless alignment with ease.



RoHS

DS-MBZ942L-3X1	SmartMount® Digital Menu Board Ceiling Mount with 8pt Adjustment 3x1 Configuration for 40"-42" Displays - Landscape
DS-MBZ947L-3X1	SmartMount® Digital Menu Board Ceiling Mount with 8pt Adjustment 3x1 Configuration for 46"-48" Displays - Landscape

Product Specifications

	DIMENSIONS (W x H x D)	PRODUCT WEIGHT	LOAD CAPACITY	FINISH	AVAILABLE COLORS
DS-MBZ942L-3X1	105.00" x 19.49" x 7.47" (2667 x 495 x 190mm)	86.9lb (39.5kg)	300lb (136kg)	Matte/Flat	Black
DS-MBZ947L-3X1	116.25" x 19.49" x 7.47" (2953 x 495 x 190mm)	88.4lb (40.2kg)			

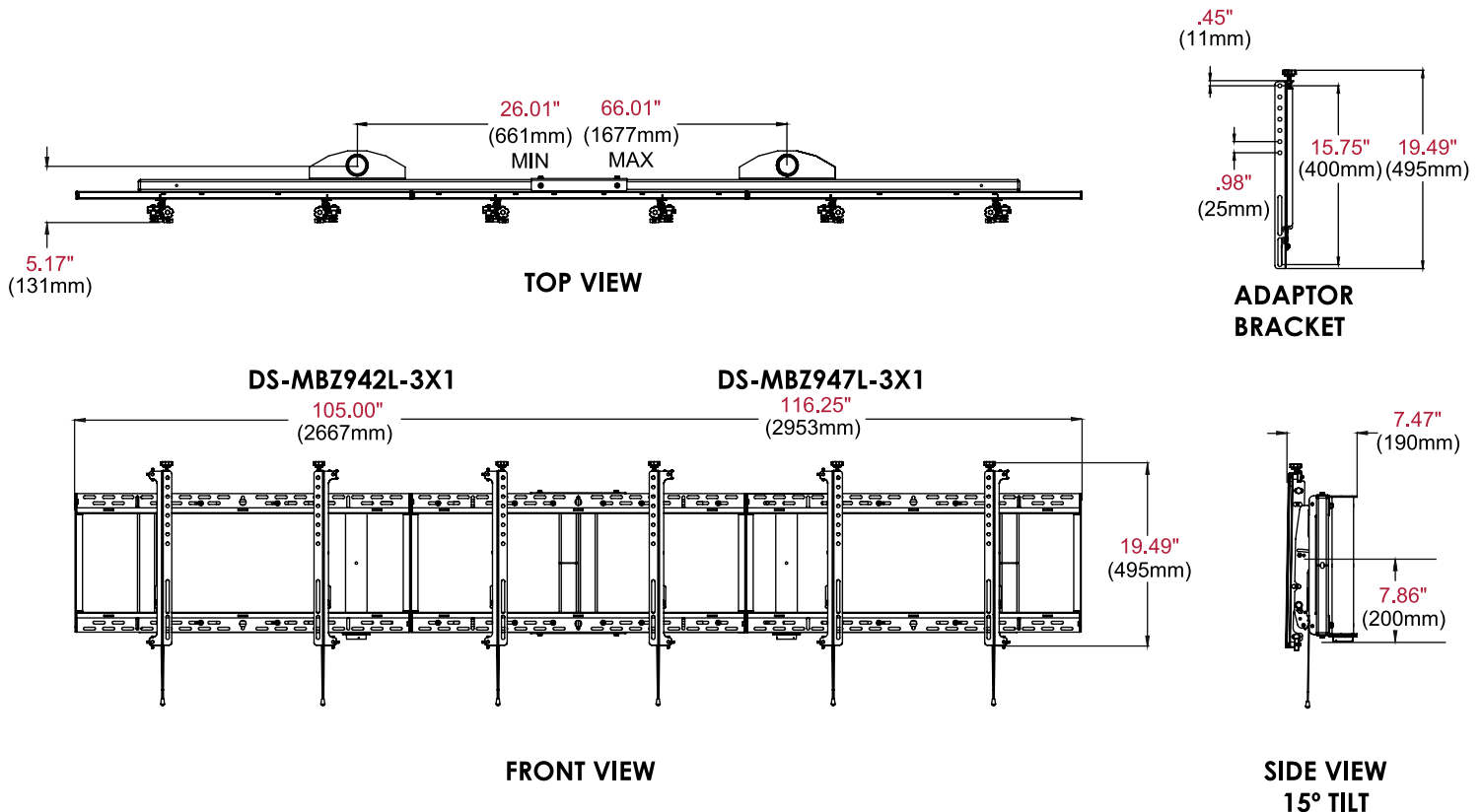
Package Specifications

	PACKAGE SIZE (W x H x D)	PACKAGE SHIP WEIGHT	PACKAGE UPC CODE	PACKAGE CONTENTS	UNITS IN PACKAGE
DS-MBZ942L-3X1	47.00" x 17.00" x 18.00" (1194 x 432 x 457mm)	104.4lb (47.4kg)	735029308164	Mount frame, adaptor rails and display mounting hardware	1
DS-MBZ947L-3X1		105.9lb (48.1kg)	735029308195		

Accessories

- ADD Models:** Ceiling Extensions
- DCS, DCT Models:** Ceiling Plates

All dimensions = inch (mm)



Architect Specifications

The Smartmount® Digital Menu Board Ceiling Mount with 8pt Adjustment shall be a Peerless-AV model DS-MBZ942L-3X1 or DS-MBZ947L-3X1 and shall be located where indicated on the plans. Assembly and installation shall be done according to instructions provided by the manufacturer.

Visit peerless-av.com to see the complete line of AV solutions from Peerless-AV, including outdoor displays, wireless, kiosks, digital audio, display mounts, projector mounts, carts/stands, and a full assortment of accessories.

Peerless-AV
2300 White Oak Circle
Aurora, IL 60502 USA
(800) 865-2112
(630) 375-5100
Fax: (800) 359-6500

Peerless-AV Europe
Unit 3 Watford Interchange
Colonial Way, Watford
Herts, WD24 4WP
United Kingdom
+44 (0) 1923 200100
Fax: +44 (0) 1923 200101

Peerless-AV de México
Ave de las Industrias 413
Parque Industrial Escobedo
Escobedo, N.L.,
Mexico 66050
+52 (81) 8384-8300
Fax: +52 (81) 8384-8360

