

LiftUp

Tack för att Ni har valt en produkt från Kondator.

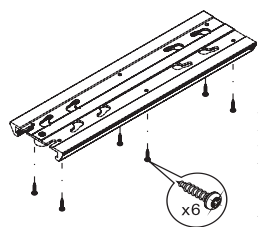
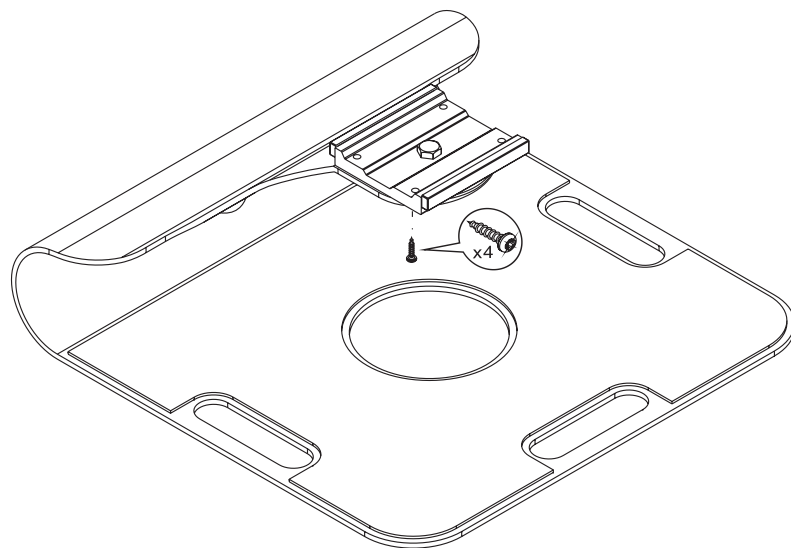
Ägna gärna några minuter att läsa denna monteringsanvisning.

Detta är ett steg för steg underlätta monteringen.

Bifogat finns en lista på de tillbehör som skall finnas med i paketet.

Kontrollera noga innehållet före monteringen !

Använd 4st skruv att fästa LiftUp under bordet!



Notera:LiftUp kan kompletteras med skena Artnr: 430-WA11 för skjutbart montage.

Artnr: 431-LU10

REKOMMENDATIONER :

Rengör regelbundet med en ren trasa.

Använd aldrig starka lösningsmedel.

Kondator
www.kondator.se

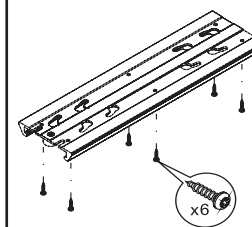
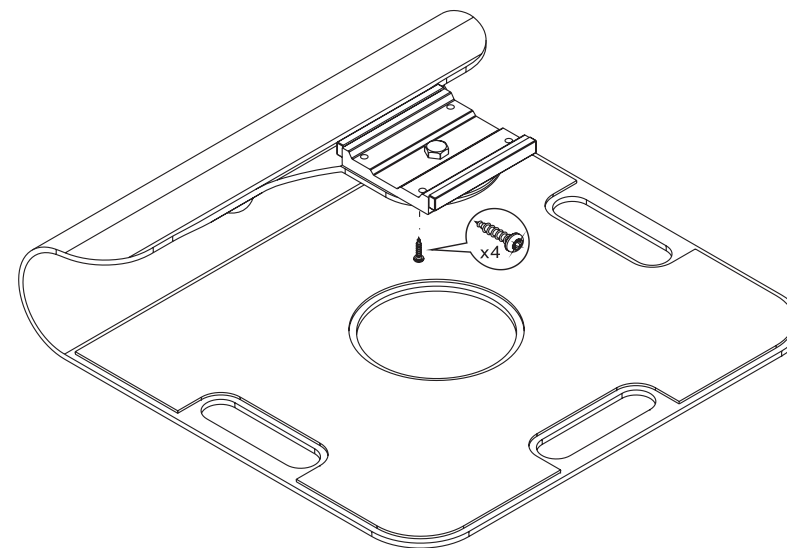
LiftUp

Before assembly

Please spend some times to read this and follow the procedures step by step. Some panels are viewed differently from the exploded drawing below. This is for extra clarity.

Do not discard any of the packaging until you have checked all the parts and the package of fittings. If you are missing any of the parts, please contact the store from which you purchased your products. The staff will do their best to help you.

4 pcs screws to secure the holder under the desk!



Note:As an option for mobile montage use the additional track.

Codeno 430-WA11

Codeno: 431-LU10

Caution:

Regular cleaning with a clean dry cloth is usually sufficient, but for stubborn marks, wipe over gently with a clean damp cloth. Never use strong detergents or abrasive cleaners as these may damage the surface finish of your furniture. There are many small components used in the construction of this unit. These loose items should be kept away from young children while assembling your unit.