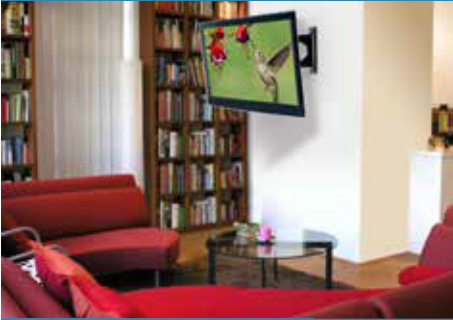


SUA737-4x4

Ultra Slim Articulating Wall Arm For 22" to 46" Ultra-thin Displays*

This slim articulating mount transforms the viewing experience from ordinary to extraordinary. Ultra-thin displays give the room a contemporary look, but only when married to an ultra-slim mount that allows the maintenance of the ultra-thin aesthetic and still positions the display at the best viewing angle. Brilliant in its simplicity and ease of installation, the mount's functionality is optimized through its remarkable arm extension and swiveling hinge. Now you can create the perfect viewing angle and truly achieve the ultra-thin experience at the same time.



Display size: 22"-46"



Max load: 60lb (27kg)

FEATURES

- Fits displays with VESA® mounting hole patterns up to 400 x 400mm compliant with included adaptors
- Arm retracts to only 1.33" (34mm) and extends up to 24.23" (615mm) from the wall
- +15/-5° of One-Touch™ tilt allows for ideal viewing angles without the use of tools
- Up to ±90° of side-to-side swivel
- ±5° of roll offers a simple way to horizontally level the display post-installation
- Two-screw wall attachment allows for a fast installation

EFFORTLESS MOTION

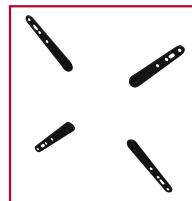
One-Touch™ tilt allows for ideal viewing angles with ease

FROM NOTHING TO EVERYTHING

Arm retracts to only 1.33" (34mm) and extends up to 24.23" (615mm) from the wall



* Designed exclusively for use with ultra-thin displays 2" (51mm) deep or less



Included adaptor arms



Fully extended



Flat against the wall



SUA737-4x4: Ultra Slim Articulating Wall Arm for 22" to 46" Ultra-thin Displays

Product Specifications

	DIMENSIONS (W x H x D)	PRODUCT WEIGHT	LOAD CAPACITY	FINISH	AVAILABLE COLORS
SUA737-4x4	15.85" x 13.00" x 1.33"-24.23" (403 x 330 x 34-615mm)	4.5kg (9.9lb)	60lb (27kg)	Gloss	Black

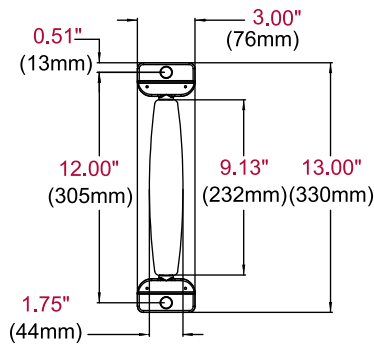
Package Specifications

	PACKAGE SIZE (W x H x D)	PACKAGE SHIP WEIGHT	PACKAGE UPC CODE	PACKAGE CONTENTS	UNITS IN PACKAGE
SUA737-4x4	21.00" x 14.25" x 2.27" (533 x 362 x 67mm)	5.3kg (11.6lb)	735029310082	Mount, adapter brackets, attachment hardware for display and wall, instructions	1

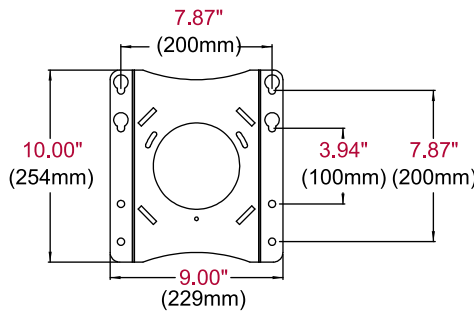
Accessories

ACC919: Security Fasteners

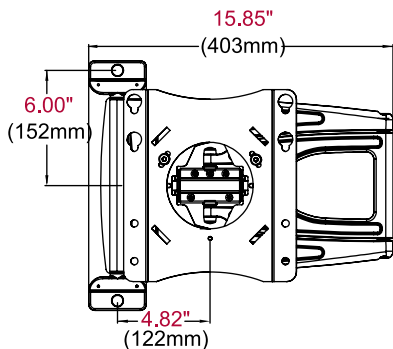
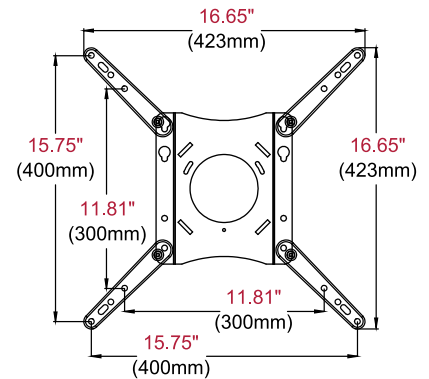
All dimensions = inch (mm)



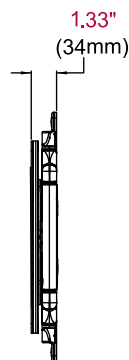
WALL PLATE



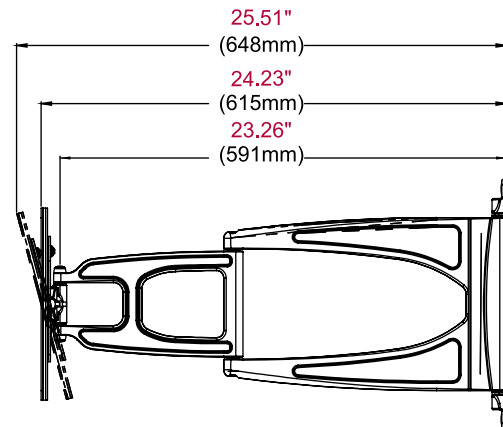
ADAPTOR PLATE



FRONT VIEW



SIDE VIEW



SIDE VIEW EXTENDED +15°/-5° TILT

ARCHITECTS SPECIFICATIONS

The Ultra Slim Articulating Wall Arm shall be a Peerless-AV model SUA737-4x4 and shall be located where indicated on the plans. Assembly and installation shall be done according to instructions provided by the manufacturer.