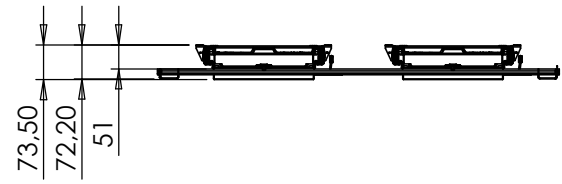
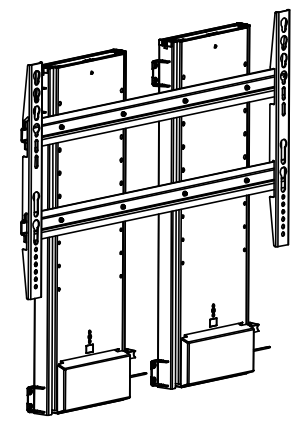
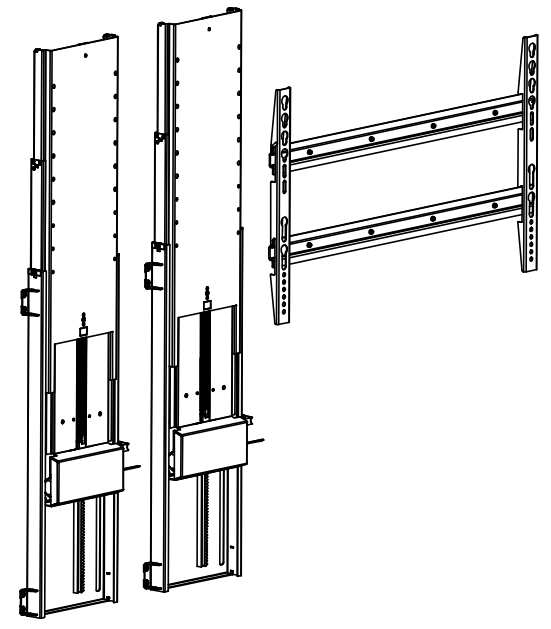
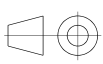


EXPLODED



DO NOT SCALE DRAWING		WEIGHT:			<b>VENSET A/S</b> Industrivej 23 - 6900 Skjern - Denmark <a href="http://www.venset.com">www.venset.com</a>
SHEET 1 OF 1		35168.16			
UNLESS OTHERWISE SPECIFIED: DIMENSIONS ARE IN MILLIMETERS TOLERANCES: LINEAR: According to ANGULAR: DIN 7168-m		NAME	DATE	TITLE:  <b>TS1000C Twin main measures</b>	
		DRAWN	jo		
<b>PROPRIETARY AND CONFIDENTIAL</b> THE INFORMATION CONTAINED IN THIS DRAWING IS THE SOLE PROPERTY OF VENSET A/S. ANY REPRODUCTION IN PART OR AS A WHOLE WITHOUT THE WRITTEN PERMISSION OF VENSET A/S IS PROHIBITED.		CHECKED		DWG NO. <b>150520</b>	
		Processes:			
		REMARKS:			