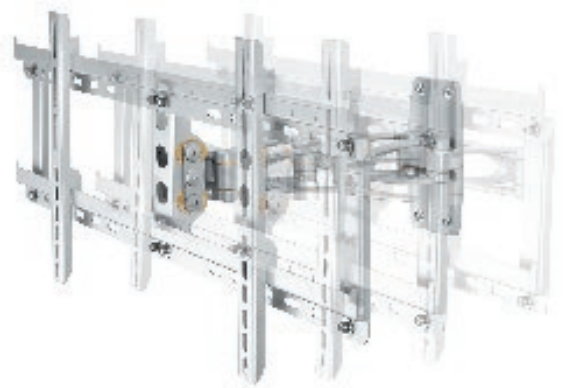


# Flexible mounting for professionals

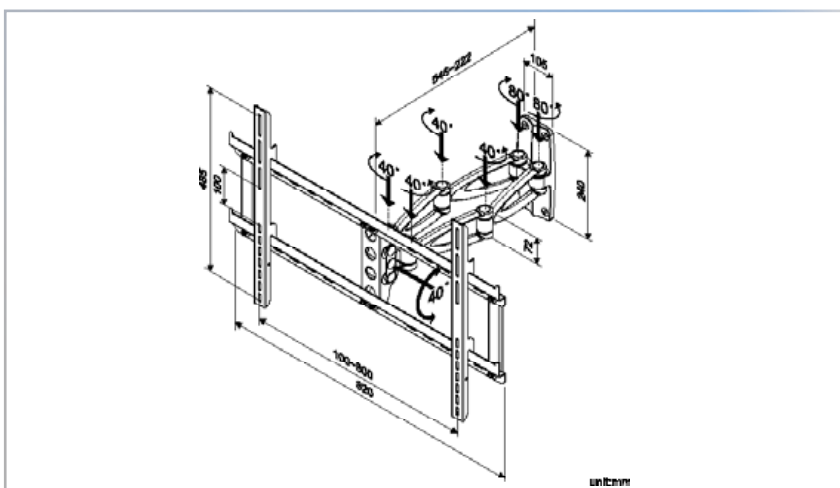
*by*  
**Kondator**



This model offers a wall assembly with double arms for optimal flexibility of the screen's angle and distance from the wall. A very stable and elegant design with the best finish which can easily be adjusted to the desired position.



## Dimensions



- For TV/Monitor 37-52"
- Distance from the wall is easily adjusted
- Adjustable both horizontally and vertically for the right position
- Lockable for the best security
- Max. load 50 kg
- Code no. 438-TVA1