

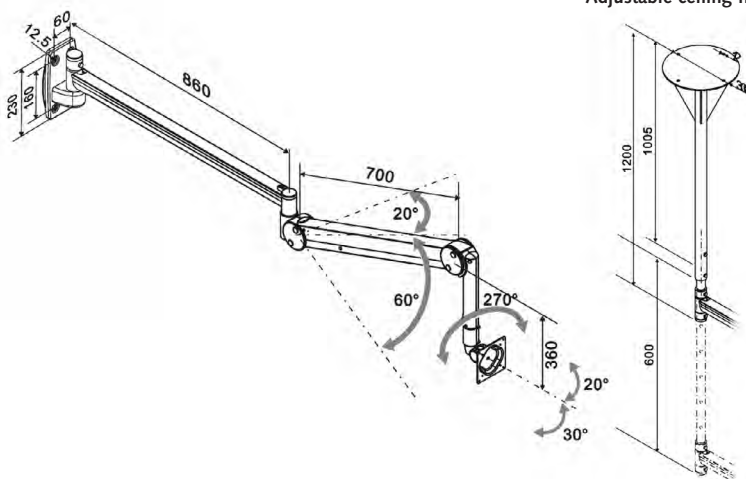
HA10 / HA25 Monitor Arm "Hospital"

by
Kondator



Endless possibilities

Gas print hospital arm which extends to a remarkably wide distance. A great choice for "difficult" environments within the industry, such as hospitals, hair-dressers, gyms, etc. Surfaces are sterile and dirt-resistant for easy maintenance.



Accessory: Code no 438-HA17
Adjustable ceiling fixture

SPECIFICATIONS

- Fantastic range and smooth design
- Gas spring 3 member monitor arm with seven joints
- Integrated hidden cable channel
- Max load 6 kg
- Monitor bracket VESA 75/100
- Part no 438-HA10, 1-6 kg
Part no 438-HA25, 6-12 kg

Accessories

Part no 438-HA17 Ceiling fixture