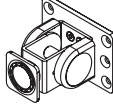
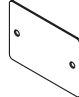

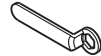




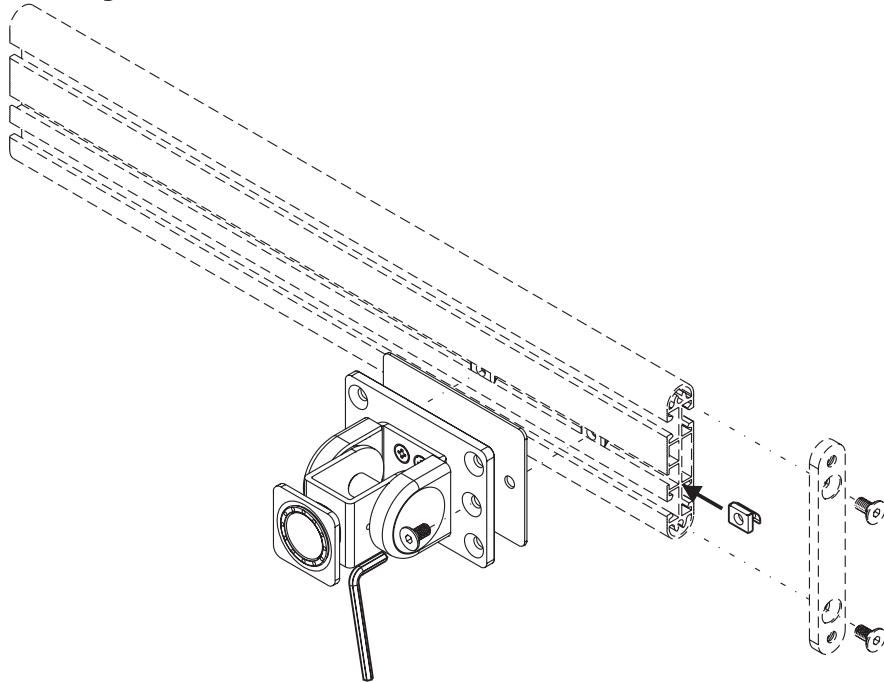
LCD Monitor Arm

To mount your flat panel monitor or any parts at an ergonomically correct position, start at step 1 and continue as directed.

Fitting Check-List

01		X1	04		X1
02		X2	05		X1
03		X2	06		X1

Assembly Guide



Caution:

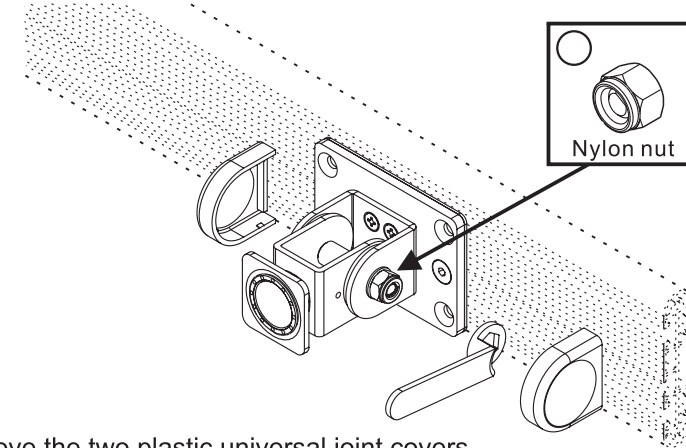
- If need VESA interface plate , please consult with the store you purchased.
- Before assembling, please check assembly guide thoroughly to avoid any mistake.
- Standard products include several small parts, keep out of children when assemble this product and prevent children from swallowing them.
- Do not put your fingers on the joint during arm moving to prevent from clipping.

LA-18PC

20090504

Adjusting Universal Joint Tension

When assembling the arm with monitors of differing weights, you may find that the tension of the universal joint needs to be adjusted to ease movement or to maintain the desired monitor position. If so, adjust as follows:



- Remove the two plastic universal joint covers
 - Find the nylon nut (not the screw head) and use the included wrench to adjust the tension.
 - Use one hand to support the monitor and adjust the tension of the universal joint.
 - Clockwise : more tension
 - Counterclockwise : less tension
 - When the desired tension is achieved, replace the four plastic covers.
- Caution:**
- Support the monitor during the adjustment procedure.
 - Only adjust the nylon nut (not the screw head).
 - Do not disassemble the universal joint .

REQUIRED:

(LA-60T not provided)

