

LA-502A

Before assembly

Please spend some times to read this and follow the procedures step by step. Some panels are viewed differently from the exploded drawing below. This is for extra clarity.

Do not discard any of the packaging until you have checked all the parts and the package of fittings. If you are missing any of the parts, please contact the store from which you purchased your products. The staff will do their best to help you.

Check List



Grommet base X1



Pad X1



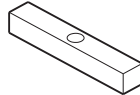
Washer X1



Nut X2



Large bolt X1

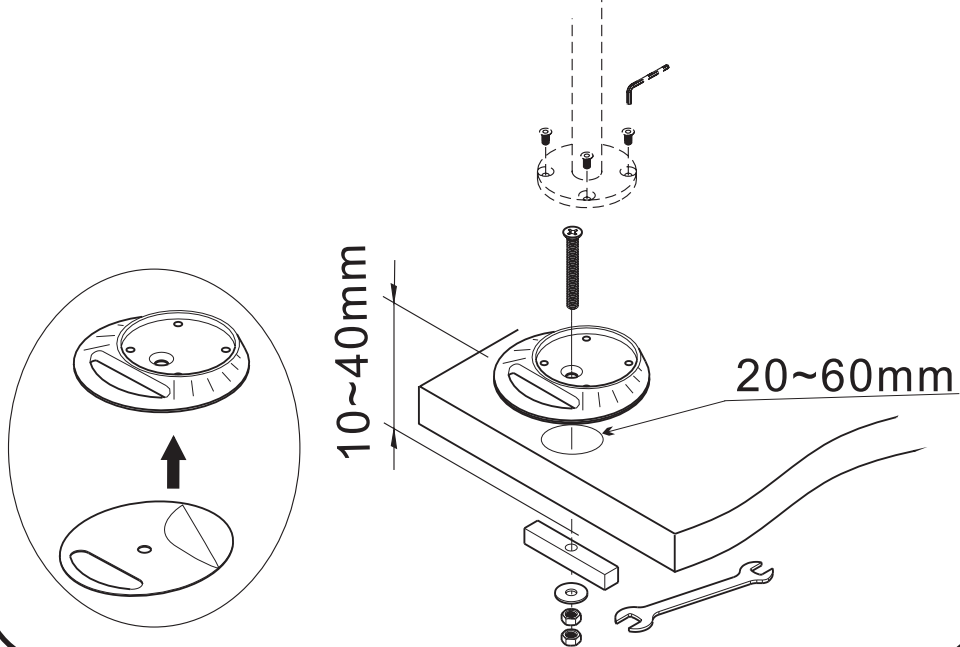


Clamping bar X1



Wrench x1

Adhesive the pad under the grommet mount. Use large bolt to go thru parts (as figures blow). Desk thickness from 10mm~40mm. Advise for desk thickness above 30mm. The diameter of the hole is from 20mm to 60mm.



LA-502A

Before assembly

Please spend some times to read this and follow the procedures step by step. Some panels are viewed differently from the exploded drawing below. This is for extra clarity.

Do not discard any of the packaging until you have checked all the parts and the package of fittings. If you are missing any of the parts, please contact the store from which you purchased your products. The staff will do their best to help you.

Check List



Grommet base X1



Pad X1



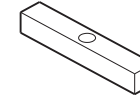
Washer X1



Nut X2



Large bolt X1



Clamping bar X1



Wrench x1

Adhesive the pad under the grommet mount. Use large bolt to go thru parts (as figures blow). Desk thickness from 10mm~40mm. Advise for desk thickness above 30mm. The diameter of the hole is from 20mm to 60mm.

