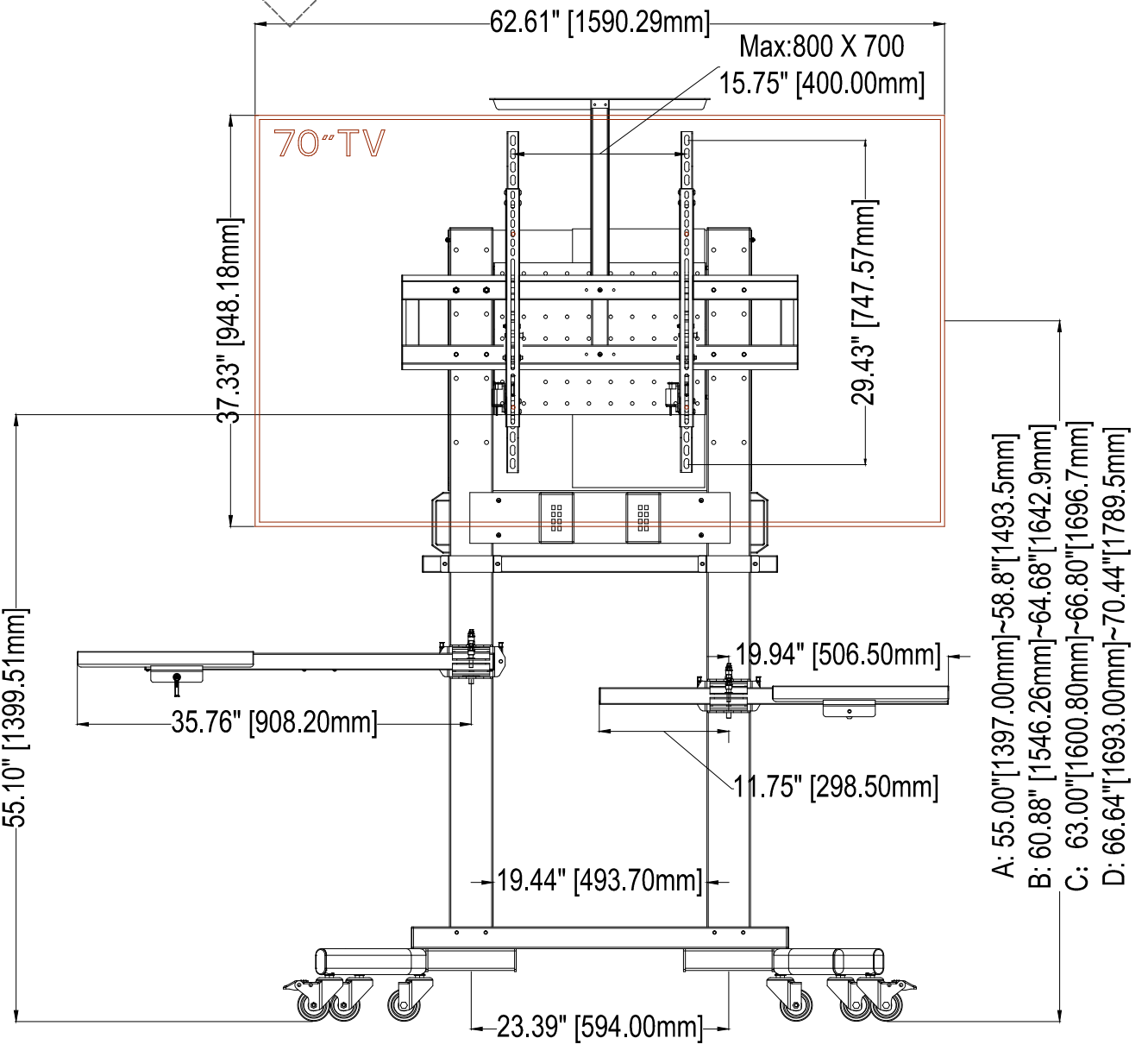
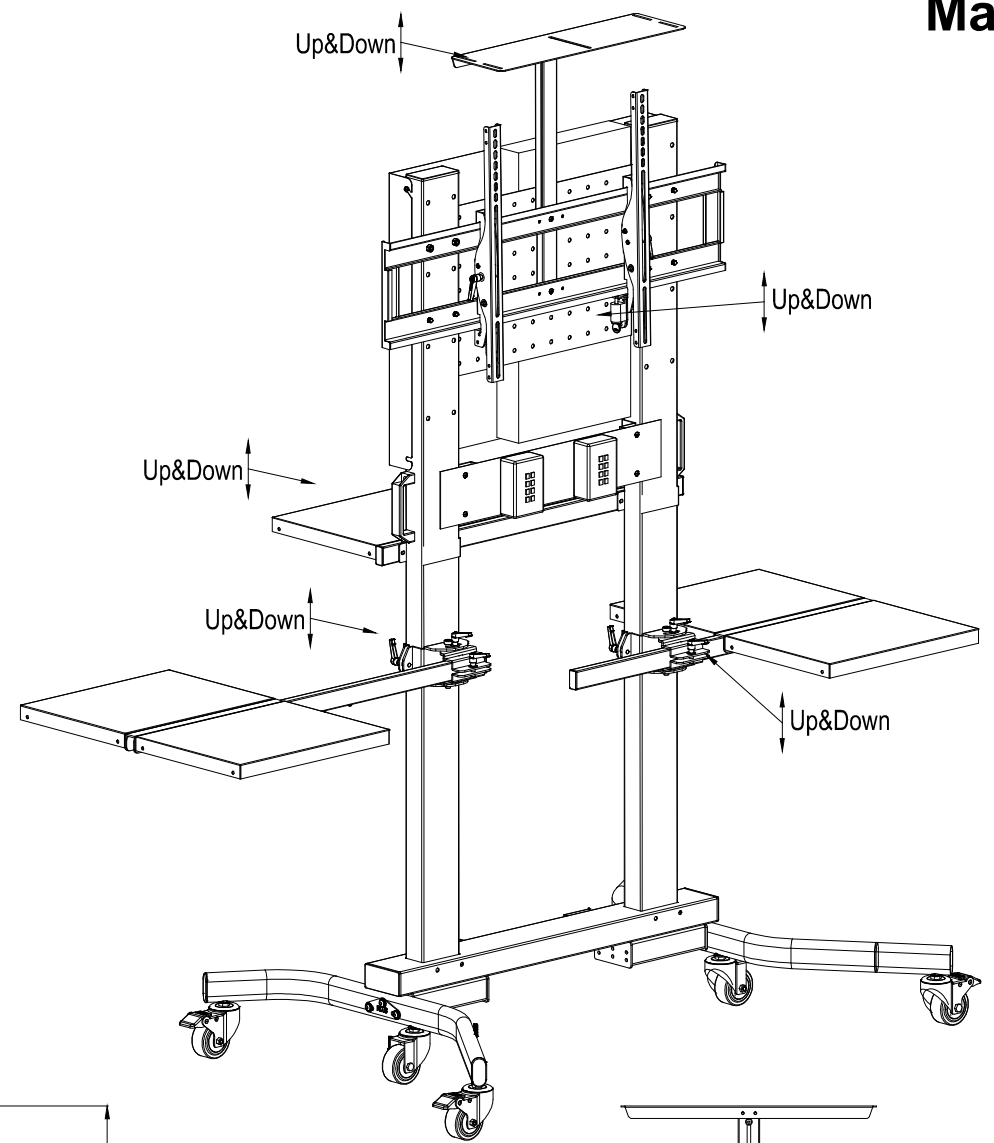
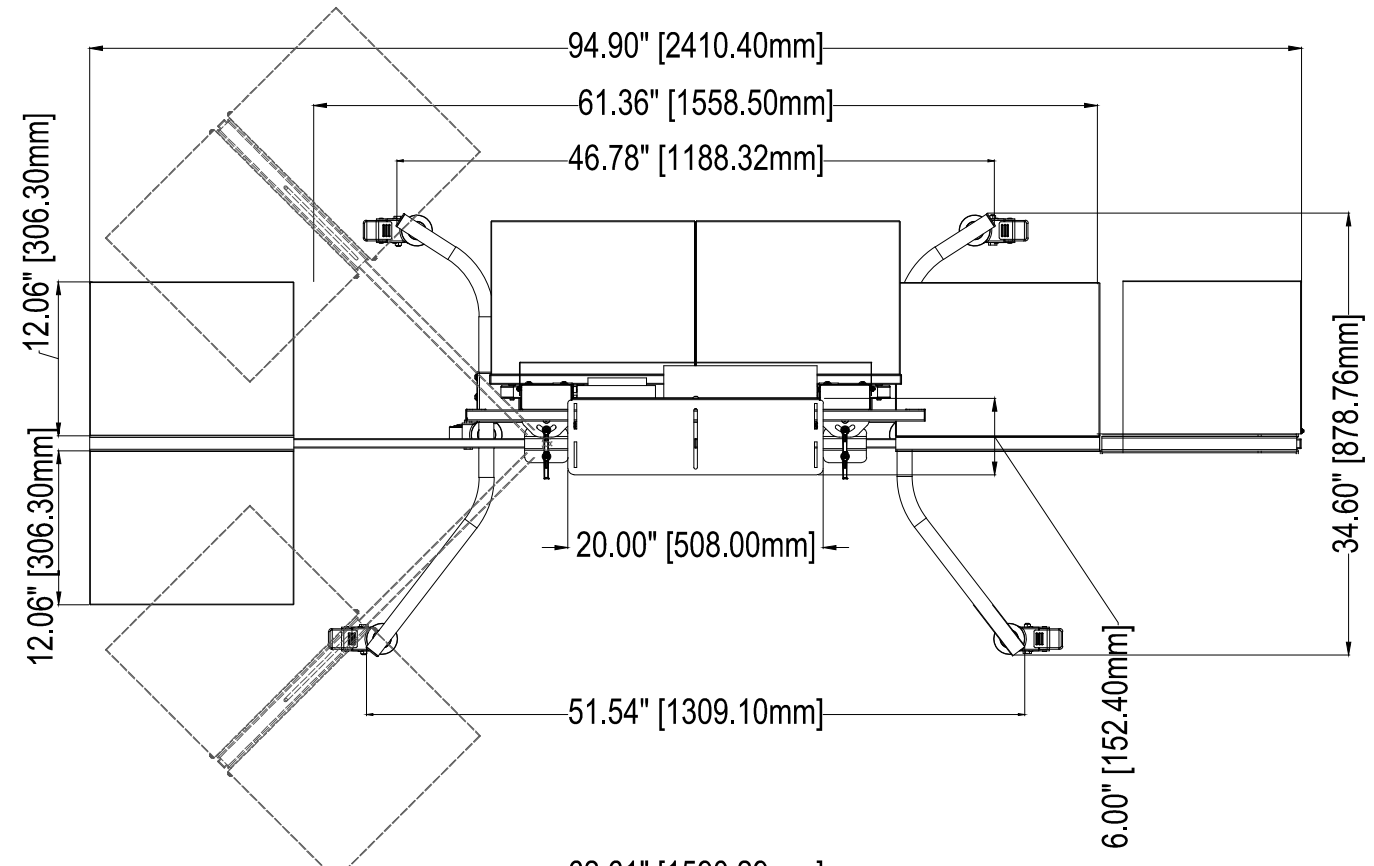
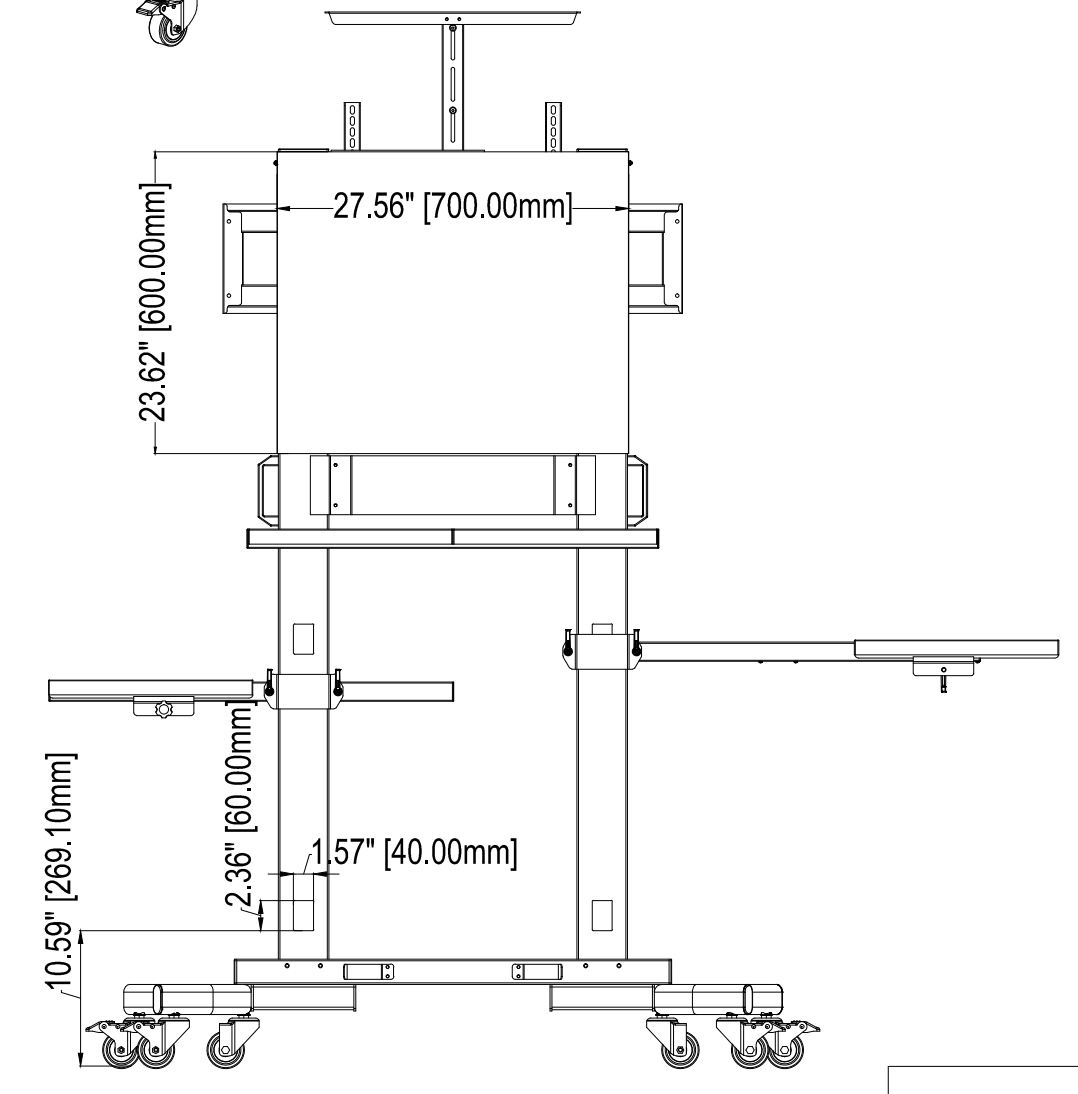
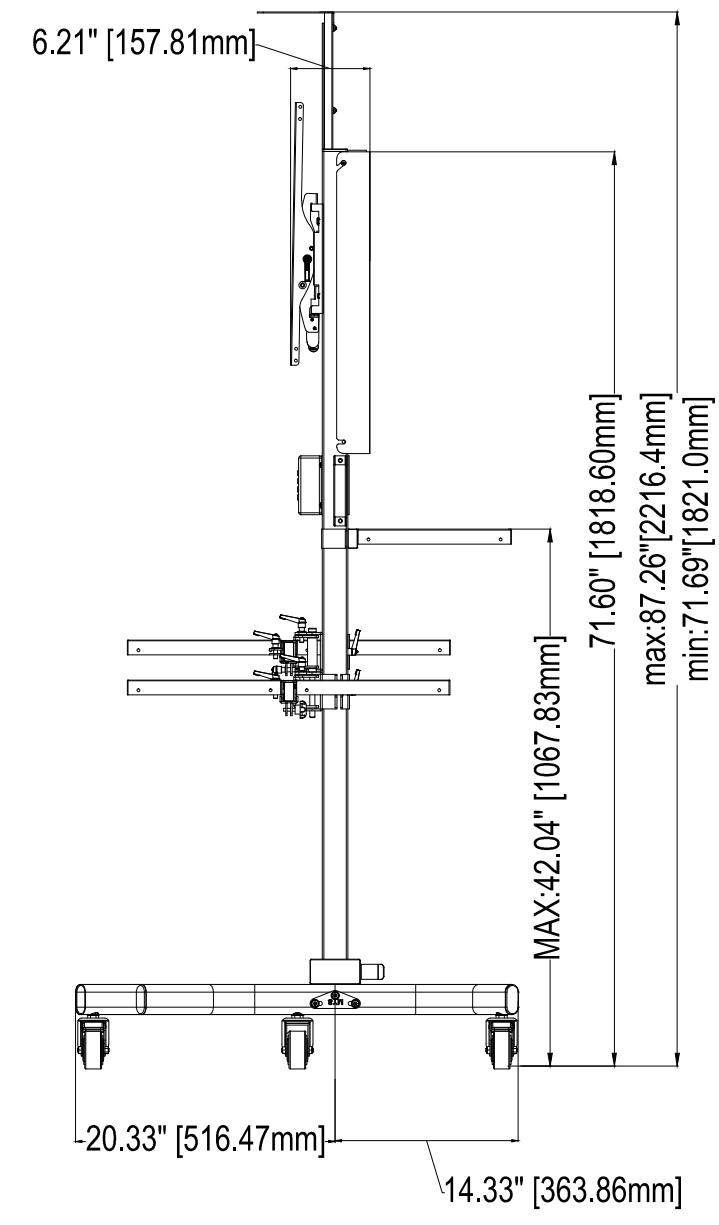


1 2 3 4 5 6 7 8

Maximum load rating: 300 lbs



- A: 55.00" [1397.00mm] ~ 58.8" [1493.5mm]
- B: 60.88" [1546.26mm] ~ 64.68" [1642.9mm]
- C: 63.00" [1600.80mm] ~ 66.80" [1696.7mm]
- D: 66.64" [1693.00mm] ~ 70.44" [1789.5mm]



The information in this drawing is the sole property of Wize AV. Any reproduction in part or as a whole without the written permission of Wize AV is prohibited.

www.wize-av.com | info@wize-av.com

Wize Scale=1:1
AV MOUNTING SOLUTIONS

TITLE:	Wize M90
SIZE DWG. NO.:	M90

1 2 3 4 5 6 7 8