

PA746



Display size  
**32"-50"**



Max load  
**80lb (36kg)**

PARAMOUNT™

# Articulating Wall Mount

FOR 32" TO 50" DISPLAYS

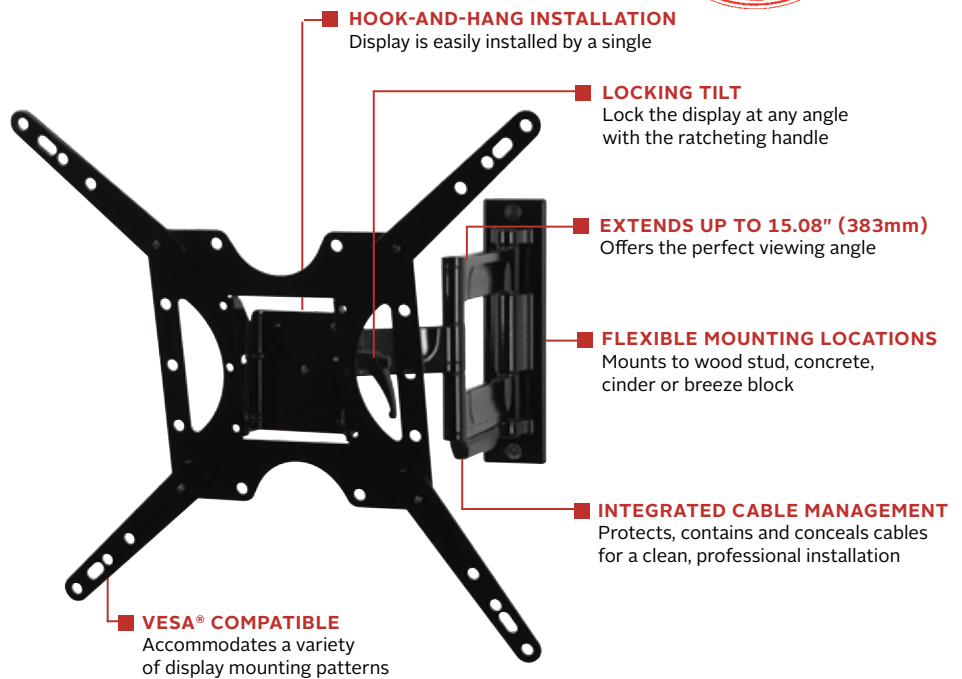
The Paramount™ series wall mounts provide versatile and multi-functional features. With PA746, extend the display up to 15.08" (383mm) or fully-retract it to just 2.81" (71mm) from the wall for the perfect viewing angle. The Hook-and-Hang™ system offers easy, one-person installation of the display. A ratcheting handle provides locking tilt capability for quick adjustments to the amount of tilt, reducing glare and optimizing the viewing angle. Integrated cable management protects, contains and conceals cables for a clean installation.

*Full-motion capabilities allow you to swivel, tilt, extend or retract your display for the perfect viewing angle.*

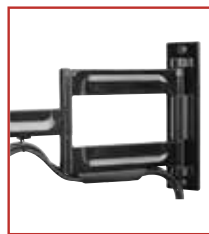


## Additional Features

- ✓ Extends 15.08" (383mm) from the wall
- ✓ Retracts to 2.81" (71mm) to save space
- ✓ +15/-5° of tilt for optimal viewing angles
- ✓ ±5° of roll for post installation display leveling
- ✓ Up to ±90° of pivot
- ✓ VESA® 100, 200 x 200, 300 x 200, 300 x 300, 400 x 300 and 400 x 400mm compliant
- ✓ Design is UL listed and tested to four times stated load capacity



Swivel, tilt, extend or retract the display for the perfect viewing angle



Integrated cable management keeps cords and cables out of the way



Comes in color packaging with included installation hardware and easy to follow instructions.



Please visit [peerless-av.com/en-us/patents](http://peerless-av.com/en-us/patents) for patent information.

info@peerless-av.com  
peerless-av.com

peerless-AV®

<b>PA746</b>	Paramount™ Articulating Wall Mount for 32" to 50" Displays
--------------	--

**Product Specifications**

	DIMENSIONS (W x H x D)	PRODUCT WEIGHT	LOAD CAPACITY	FINISH	AVAILABLE COLORS
<b>PA746</b>	16.65" x 16.65" x 2.81"-15.08" (423 x 432 x 71-383mm)	5.40lb (2.45kg)	80lb (36kg)	Scratch resistant fused epoxy	Gloss black

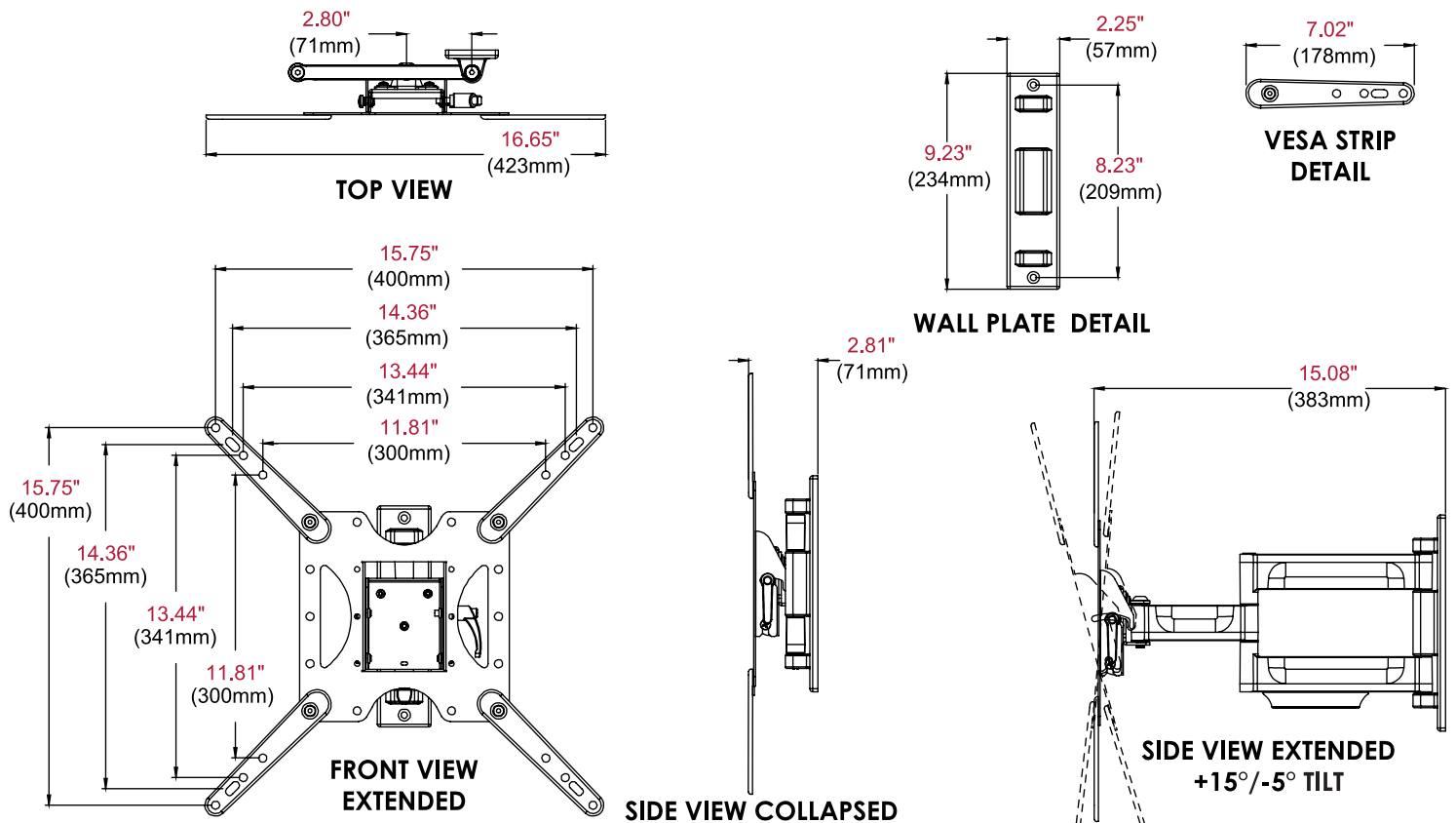
**Package Specifications**

	PACKAGE SIZE (W x H x D)	PACKAGE SHIP WEIGHT	PACKAGE UPC CODE	PACKAGE CONTENTS	UNITS IN PACKAGE
<b>PA746</b>	10.63" x 3.23" x 11.77" (270 x 82 x 299mm)	6.85lb (3.11kg)	735029304258	Wall mount, wall and display installation hardware, installation instructions	1

**Accessories**

**WSP700/701:** Metal Stud Wall Plates for 16"/24" Center Metal Studs

All dimensions = inch (mm)



**Architect Specifications**

The Paramount™ Articulating Wall Mount shall be a Peerless-AV model PA746 and shall be located where indicated on the plans. Assembly and installation shall be done according to instructions provided by the manufacturer.

Visit [peerless-av.com](http://peerless-av.com) to see the complete line of AV solutions from Peerless-AV, including outdoor displays, wireless, kiosks, digital audio, display mounts, projector mounts, carts/stands, and a full assortment of accessories.

**Peerless-AV**  
 2300 White Oak Circle  
 Aurora, IL 60502 USA  
**(800) 865-2112**  
**(630) 375-5100**  
**Fax: (800) 359-6500**

**Peerless-AV Europe**  
 Unit 3 Watford Interchange  
 Colonial Way, Watford  
 Herts, WD24 4WP  
 United Kingdom  
**+44 (0) 1923 200100**  
**Fax: +44 (0) 1923 200101**

**Peerless-AV de México**  
 Ave de las Industrias 413  
 Parque Industrial Escobedo  
 Escobedo, N.L.,  
 Mexico 66050  
**+52 (81) 8384-8300**  
**Fax: +52 (81) 8384-8360**

